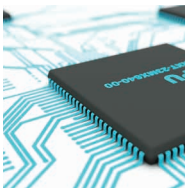
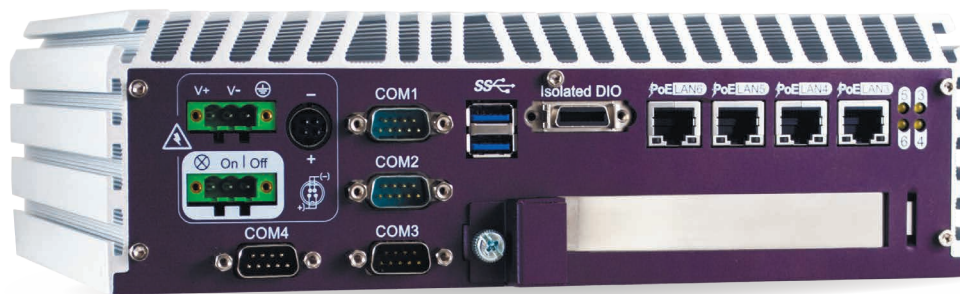
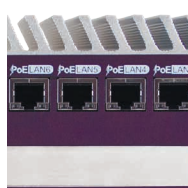


ECS-7700

High Performance, Rugged, Extended Temp., Intel® 3rd Gen. Quad Core™ i7/i5/i3 Fanless Embedded System with 6 Gigabit Ports (4 PoE+) and 1 PCIe/PCI Expansion Slot



3rd Gen Intel® Quad Core™ i7/i5/i3 Ivy Bridge Mobile Processor



4 GigE PoE+ Ports & 2 GigE LAN Ports



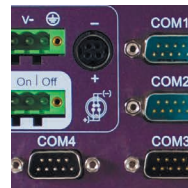
Fanless, -25°C to 70°C Operation Temp.



1 PCIe or PCI Expansion Slot



Compliant with EN50121-3-2 & Essential Sections of EN50155



4 COM, 4 USB 3.0, 2 USB 2.0, 2 Mini-PCIE (1 with SIM Card Socket)

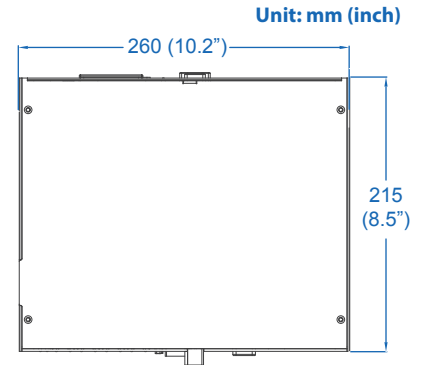
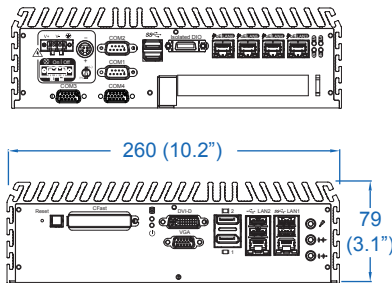
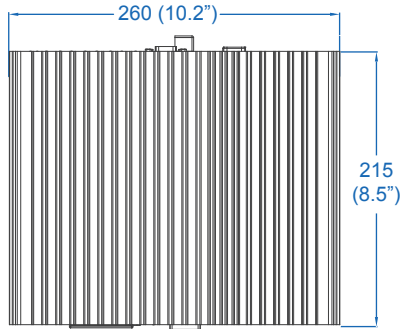


Triple Display, DVI-D & VGA, 2 Display Ports

Based on 3rd Gen Intel® Quad-Core™ i7 Processor (6M Cache, up to 3.30 GHz), ECS-7700 series integrates 2 GbE LAN, 4 GigE PoE+ ports, and one PCIe/PCI expandable slot. With maximum dual channel 16GB ram, DVI-D, Display Port and VGA triple display, two 2.5" SATA 6Gp/s HDD/SSD, one SATA 3Gp/s SSD/HDD supports SATA DOM, one of 2 miniPCI-express supports SIM card for WiFi, 3G/4G/GPS/GPRS, and still keep outstanding thermal design for -25 degree to +70 degree Celsius industrial operating temperature range. ECS-7700 series provides 2 fully integrated Gigabit Ethernet interfaces for either 1000 Mb/s or 10/100 Mb/s operation rates by each and jumbo frames up to 9018 bytes. Enabling accurate time synchronization, wake-up function, and boot up through the extensible firmware interface (PXE), ECS-7700 series integrates fully power management function to optimize voltage efficiency. Empowering 4 GigE IEEE 802.3at PoE+ ports, ECS-7700 series is the ideal option for GigE cameras required efficient power supply and distances connection. Improving network traffic load-balancing by optimized parallel and pipelined architectures, the 2 gigabit Ethernet controllers of ECS-7700 series enable to smooth the network traffic loading for most demanding occasions. ECS-7700 series is designed for machine vision, intelligent automation, intelligent manufacturing system, automation networking communication, IOT (Internet of Things), EtherCAT (Ethernet for Control Automation Technology) and process control applications.



Dimension



Specification

System

Processor	3 rd Gen. Intel® Quad Core™ i7/i5/i3 Ivy Bridge
Chipset	Intel® Mobile QM77
BIOS	AMI
SIO	IT8783F
Memory	DDR3 1066 1333 1600 MHz or DDR3L 1066 1333MHz Max. 16GB Two 204-pin SO-DIMM Sockets

I/O Interface

Serial Interface	3 COM RS-232, 1 COM RS-232/485/422
USB Interface	4 USB 3.0 (Compatible to USB 2.0) 2 USB 2.0 2 Internal USB 2.0
Isolated DIO	8 DI, 8 DO, 5V~24V Input
LED	Power, HDD, CFAST LEDs
GPIO	16 GPIO

Expansion

PCIe/PCI	1 Slot for PCIe x16 or PCI Expansion Card
Mini PCIe	1 miniPCIe Socket (PCIe +USB+ SIM Card Socket), Optional with mSATA 1 miniPCIe Socket (PCIe +USB), Optional with mSATA
JST Connector	1 Internal 6-Pin (2 Internal USB2.0)

Graphics

Chipset	Intel® GMA HD 4000, Triple Independent Display
Display Memory	Shared Memory, Up to 1.7GB
Interface	DB-15 VGA / 1920x1200 Max. DVI-D / 1920x1200 Max. Display Port 1 / 2560x1600 Max. Display Port 2 / 1920x1200 Max. LVDS/Dual channel 24-Bit/ 1920x1200 Max.

Storage

SATA	2 SATA III 6Gbps 1 SATA II 3Gbps, Support Horizontal Type SATA DOM
mSATA	2 SATA II 3Gbps (Optional)
Storage Expansion	CFAST Slot, External Hot-Swap, Push In/Out Ejector

Audio

Audio Codec	Realtek® ALC892, 5.1 Channel HD Audio
Audio Interface	Line-In, Line-Out, Mic-In, Front Audio Header

Ethernet

LAN1	Intel® 82579LM Gigabit LAN, Wake on LAN, PXE Support
LAN2	Intel® AMT 8.0
Power over Ethernet, PoE	Intel® 82574L Gigabit LAN, Wake on LAN, PXE Support
LAN3	Gigabit IEEE 802.3at (25.5W/48V) PoE Ports by Intel® 82574L with Power On/Off Control
LAN4	Gigabit IEEE 802.3at (25.5W/48V) PoE Ports by Intel® 82574L with Power On/Off Control
LAN5	Gigabit IEEE 802.3at (25.5W/48V) PoE Ports by Intel® 82574L with Power On/Off Control
LAN6	Gigabit IEEE 802.3at (25.5W/48V) PoE Ports by Intel® 82574L with Power On/Off Control

Power

Power Input	1 Mini DIN 3-Pin Terminal Block for DC-IN : V+, V-, Frame Ground
Power Input Voltage	ATX: 2-Pin Remote Power On/Off Switch DC-IN 6 ~ 36V
Power Adapter Protection	AC to DC +24V / 5A. 120W Max. (Optional) On-board LT4356 for High Voltage Surge Protection

Other

Trusted Platform Module (TPM)	Infineon SLB9635, LPC Interface (Optional)
Watchdog Timer	Reset: 1 to 255 sec./min. Per Step
HW Monitor	Temperature/Voltages Auto Throttling Control When CPU Overheats

Mechanical

Dimension (W x L x H)	260mm x 215mm x 79mm (10.2" x 8.5" x 3.1")
Weight	2.1Kg (4.6 lb)
Mounting	Wall-Mount by Mounting Bracket
Chassis Construction	Aluminum Housing

Environment

Operating Temperature	-25°C to 70°C (-13°F to 157°F)
Storage Temperature	-40°C to 85°C (-40°F to 185°F)
Humidity	10% to 95% Humidity, Non-condensing
Relative Humidity	95% at 70°C
Vibration	Operating, 5Grms @5~500 Hz According to IEC68-2-64
Shock	Operating, 20 Grms, Half-Sine 11 ms Duration (w/ SSD, According to IEC60068-2-27)
EMC	CE, FCC, RoHS, EN50155 & EN50121-3-2

*All product specifications and photos are subject to change without prior notice.

Order Information

Part No.	Description
ECS-7710	Intel® 3 rd Gen Quad Core™ i7/i5/i3 Fanless Embedded System with 6 Gigabit Ports (4 PoE+) & 1 PCIe x16 Expansion Slot
ECS-7701	Intel® 3 rd Gen Quad Core™ i7/i5/i3 Fanless Embedded System with 6 Gigabit Ports (4 PoE+) & 1 PCI Expansion Slot
Option	Description
i7-3610QE	Ivy Bridge 3 rd Gen Intel® Mobile Quad Core™ i7 Processor
i5-3610ME	Ivy Bridge 3 rd Gen Intel® Mobile Core™ i5 Processor
i3-3120ME	Ivy Bridge 3 rd Gen Intel® Mobile Core™ i3 Processor
M340S-W28M1	Vecow DDR3 4GB 1333/1066MHz RAM, Wide Temperature -40°C ~ +85°C
Certified DDR3 8GB RAM	Certified DDR3 8GB PC1333 RAM
PWA-120WM4P	120W, 24V, 90VAC to 264VAC Power Adapter
SCSI-20P-100	20-pin SCSI Cable, 1M
TMB-SCSI-20P	Terminal Board with One 20-pin SCSI Connector and DIN-Rail Mounting